



KP 200 BOPLAN COLUMN PROTECTOR SPECIFICATION SHEET

Revision: 22 October 2018 4:19 PM
Boplan reference: KP2000-1100-S200YE



PRODUCT SPECIFICATIONS		
APPLICATION		
Environment	Air columns for controlled impact absorption. Retain its original shape thanks to its extensive absorbing capacities. Column protectors prevent structural damage to columns, posts & pillars in warehouses, production halls, airports and parking facilities. Stackable on top of each other for higher protection.	
Advisory speed	3.4 km/h For gross weight vehicle of 2500 kg	
	2.4 km/h For gross weight vehicle of 5000 kg	
MATERIAL		
Column protector	Polyethylene - UV resistant - Fire class HB* - Non conductive - Impervious to most chemical products**	
Straps	Velcro® ties	
STANDARD COLORS		
Column protector	Yellow	
Straps	Black	
FIXATIONS		
Velcro straps	3 black straps to hold both halves together	
REQUIREMENTS		
Maximum pillars dimensions		
	200 x 200 mm column	150 x 150 mm column
Environment	Indoor and outdoor use	
Working Temperatures	-15°C up to +40°C	

*Fire class HB = Slow burning; classification according to UL94: US Standard for Safety of Flammability of Plastics

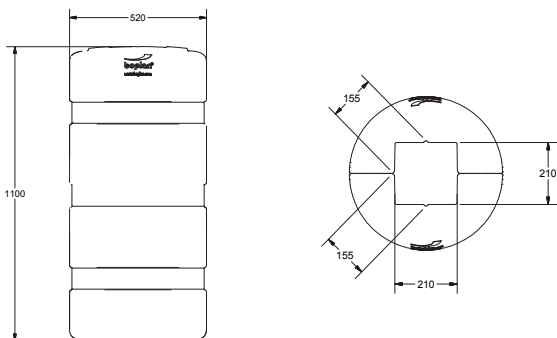
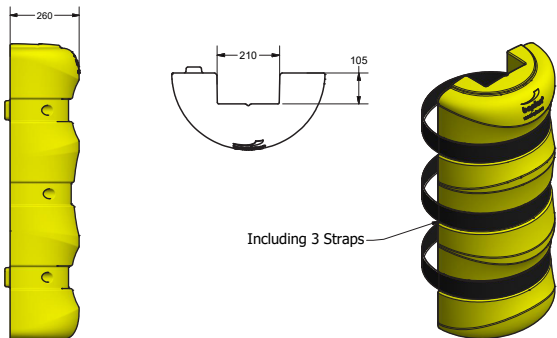
**Ask your local sales office for resistance to specific chemicals.

FEATURES AND FUNCTIONALITY

SIZE	
Outer diameter	Ø 520 mm
Inner dimension	210 mm x 210 mm (155 mm x 155 mm)
Weight	17.2 kg (8.6 kg per piece)
Straps	3 x 2400 mm

IMPACT PERFORMANCE		
Test conditions	Ambient temperature Fork lift weight Success criteria	20°C 2300kg No permanent damage of the Column protector
90° impact	Maximum impact	2200 Joule
45° impact	Maximum impact	3100 Joule

REFERENCES PRODUCT - COLUMN PROTECTOR 200

KP2000-1100-S200YE	KP2000-1100-S100YE
2 halves (2 straps included)	1 halve (3 straps included)
	

REFERENCES PRODUCT - ACCESSORIES

KP0099-1100-300YE	KP0099-8180-S400ZC	KP0099-1000-1025BL - KP0099-1000-1050BL
KP extensions - 100 mm - 1 PIECE	Bolt fixation (L = 180mm) - set of 4	KP Fill up foam - 25mm thick / 50 mm thick
