



FLIP BOPLAN PLINTH SPECIFICATION SHEET

Revision: 13 May 2019 10:42 AM
Boplan reference: PL1800 ...

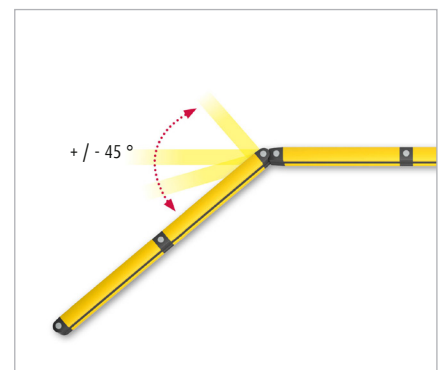
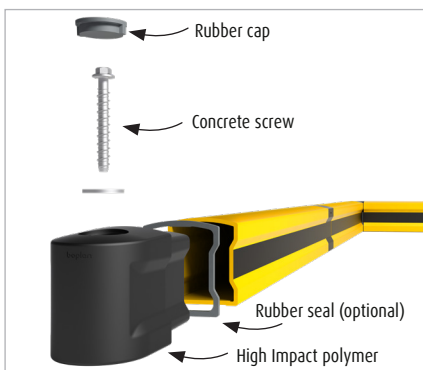


APPLICATION		
Environment	Ground level protection - Wall protection (refrigerator walls, decorative walls, sandwich panels) - Wheel guide for pallet trucks or trolleys in busy traffic lanes - Protection of machines and infrastructures - Below a Boplan traffic barrier system - Indoor and outdoor use - Food industry	
Advisory speed	4.0 km/h	For gross weight vehicle of 2500 kg
	3.0 km/h	For gross weight vehicle of 5000 kg
MATERIAL		
Connection pieces / Rails	High impact Polyolefin - Food approved [*] - UV resistant - Fire class HB ^{**} - Non conductive - Impervious to most chemical products ^{***}	
Cap / Seal	Rubber - Food approved [*] - UV resistant - Fire class HB ^{**} - Non conductive - Impervious to most chemical products ^{***}	
STANDARD COLORS		
Connection pieces	Black	
Rail	Yellow Yellow / Black (Bi-color)	
FIXATIONS		
	ZINC COATED	INOX
CONCRETE SCREW 	Length = 135 mm Size = Ø17 mm Drill hole Ø screw = 14 mm Sw: 19 mm Max load (pull out) = 29.7 kN	X
THREADED ROD (WITH CHEMICAL ANCHOR) 	Length = 125 mm Size = M16 Drill hole diameter = 18 mm Max load (pull out) = 20 kN	X

* Food approved = compliant to the food contact regulation EC no. 2023/2006

** Fire class HB = Slow burning; classification according to UL94: US Standard for Safety of Flammability of Plastics

*** Ask your local sales office for resistance to specific chemicals.

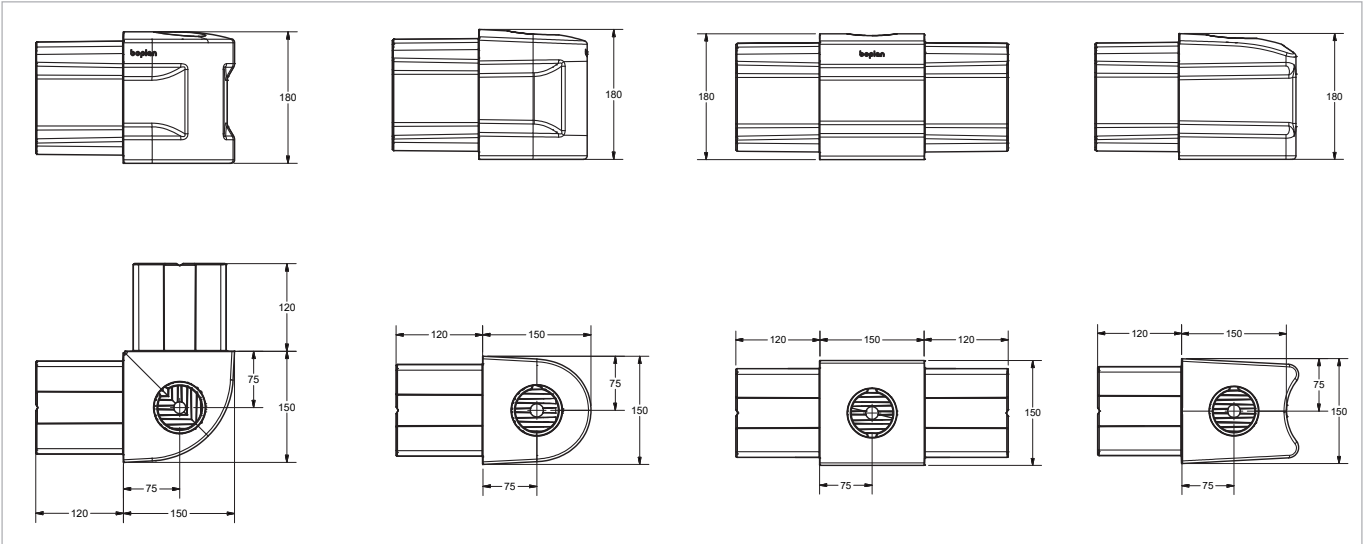


FEATURES AND FUNCTIONALITY

SIZE	
Height	180 mm
Profile section	180 mm x 150 mm (10 mm thick)
Standard rail length	see next page

IMPACT PERFORMANCE		
Test conditions	Ambient temperature Tube length Fork lift weight Floor Success criteria	20°C 1650mm (center - center) 2300kg Industrial concrete Fork lift stopped
90° impact	Maximum impact on connection piece	2100 Joule
	Maximum impact on rail	2100 Joule
45° impact	Maximum impact on rail	3000 Joule

REQUIREMENTS	
Compatibility	Below TB 400 / TB400 Plus / HP Plus - ...
Floor	Industrial concrete, flat surface
Concrete quality	minimum C25/30
Concrete floor plate thickness (mm)	minimum 150
Operational temperature	-10°C up to +40°C
Water and humidity	Zinc coated fixations: indoor and outdoor use in most environments



REFERENCE LIST - FLIP

CONNECTION PIECES		
Endpost	PL1800-0001-EPBL	
Midpost	PL1800-0001-MPBL	
Corner post 90°	PL1800-0001-CPBL	
Universal corner post	PL1800-0001-UCBL	

RAIL SETS			
	Rail length	CC length	Reference
Standard rail	700 mm	850 mm	PL1800-0700-0001YB
Standard rail	800 mm	950 mm	PL1800-0800-0001YB
Standard rail	900 mm	1050 mm	PL1800-0900-0001YB
Standard rail	1000 mm	1150 mm	PL1800-1000-0001YB
Standard rail	1100 mm	1250 mm	PL1800-1100-0001YB
Standard rail	1200 mm	1350 mm	PL1800-1200-0001YB
Standard rail	1300 mm	1450 mm	PL1800-1300-0001YB
Standard rail	1400 mm	1550 mm	PL1800-1400-0001YB
Standard rail	1500 mm	1650 mm	PL1800-1500-0001YB
Standard rail	1600 mm	1750 mm	PL1800-1600-0001YB
Standard rail	1700 mm	1850 mm	PL1800-1700-0001YB
Standard rail	1800 mm	1950 mm	PL1800-1800-0001YB
Standard rail	1900 mm	2050 mm	PL1800-1900-0001YB
Standard rail	2000 mm	2150 mm	PL1800-2000-0001YB
Non Std rail	300 -1299 mm	450 - 1449 mm	PL1801-1299-0001YB
Non Std rail	1301-1999 mm*	1449 - 2149 mm*	PL1801-1999-0001YB

* The impact performance has not been tested for tube lengths >1500 mm. Only use longer lengths for non - critical applications.

